

**MFZ-KJ12NA & MUFZ-KJ12NAHZ**  
**12,000 BTU/H FLOOR-MOUNTED INDOOR UNIT**  
**12,000 BTU/H HYPER-HEATING OUTDOOR UNIT**



Job Name:

System Reference:

Date:



Indoor Unit.....MFZ-KJ12NA

Outdoor Unit.....MUFZ-KJ12NAHZ

**INDOOR UNIT FEATURES**

- Floor-mounted indoor unit mounts on the floor or up to 5" above the floor
- Floor front panel access to the filter for ease of cleaning
- Perfect for difficult areas that may be smaller or don't have usable space on the walls
- Multiple fan speed options: Low, Medium, High, Powerful, Auto
- Quiet operation
- Multi-flow vane for faster heating
- Multiple control options available:
  - Hand-held Remote Controller (provided with unit)
  - kumo cloud® smart device app for remote access
  - Third-party interface options
  - Wired or wireless controllers
- Unit can be recessed mounted into wall

**OUTDOOR UNIT FEATURES**

- Built-in base pan heater

# SPECIFICATIONS: MFZ-KJ12NA & MUFZ-KJ12NAHZ

Cooling at 95°F <sup>1</sup>	Maximum Capacity	BTU/H	15,000
	Rated Capacity	BTU/H	12,000
	Minimum Capacity	BTU/H	2,300
	Maximum Power Input	W	1,380
	Rated Power Input	W	890
	Moisture Removal	Pints/h	2.7
	Sensible Heat Factor		0.70
Heating at 47°F <sup>2</sup>	Maximum Capacity	BTU/H	22,800
	Rated Capacity	BTU/H	13,000
	Minimum Capacity	BTU/H	2,900
	Maximum Power Input	W	2,390
	Rated Power Input	W	900
	Power Factor [208V / 230V]	%	89.0 / 89.0
Heating at 17°F <sup>3</sup>	Maximum Capacity	BTU/H	14,800
	Rated Capacity	BTU/H	8,800
	Maximum Power Input	W	1,890
Heating at 5°F <sup>4</sup>	Rated Power Input	W	930
	Maximum Capacity	BTU/H	13,000
Heating at -4°F <sup>5</sup>	Maximum Power Input	W	1,810
Heating at -13°F <sup>7</sup>	Maximum Capacity	BTU/H	10,790
Efficiency	Maximum Capacity	BTU/H	8,450
	SEER   SEER2		25.5   26.7
	EER <sup>1</sup>   EER2 <sup>1</sup>		13.6   13.6
	HSPF [IV]   HSPF2 [IV]		12.0   10.6
	COP at 47°F <sup>2</sup>		4.2
	COP at 17°F at Maximum Capacity <sup>3</sup>		2.3
	COP at 5°F at Maximum Capacity <sup>4</sup>		2.1
ENERGY STAR® Certified		Yes	
Electrical	Voltage, Phase, Frequency		208/230, 1, 60
	Guaranteed Voltage Range	V AC	187 - 253
	Voltage: Indoor - Outdoor, S1-S2	V AC	208/230
	Voltage: Indoor - Outdoor, S2-S3	V DC	24
	Short-circuit Current Rating [SCCR]	kA	5
	Recommended Fuse/Breaker Size (Outdoor)	A	15
	Recommended Wire Size [Indoor - Outdoor]	AWG	14
Power Supply		Indoor unit is powered by the outdoor unit	
Indoor Unit	MCA	A	1.0
	Fan Motor Full Load Amperage	A	0.62
	Fan Motor Type		DC Motor
	Airflow Rate at Cooling, Dry	CFM	138-198-272-360-417
	Airflow Rate at Cooling, Wet	CFM	117-168-231-306-354
	Airflow Rate at Heating, Dry	CFM	138-191-254-328-417
	Sound Pressure Level [Cooling]	dB[A]	21-27-34-41-46
	Sound Pressure Level [Heating]	dB[A]	21-27-34-40-46
	Drain Pipe Size	In. [mm]	5/8 O.D [15]
	Coating on Heat Exchanger		—
	External Finish Color		Munsell 1.0Y 9.2/0.2
	Unit Dimensions	W x D x H: In. [mm]	29-17/32 x 8-15/32 x 23-5/8 [750 x 215 x 600]
	Package Dimensions	W x D x H: In. [mm]	32-2/16 x 10-3/16 x 27-2/16 [816 x 275 x 693]
Unit Weight	Lbs. [kg]	33 [15.0]	
Package Weight	Lbs. [kg]	41 [18.5]	
Indoor Unit Operating Temperature Range	Cooling Intake Air Temp [Maximum / Minimum]*	°F	90 DB, 73 WB / 67 DB, 57 WB

**NOTES:**

AHRI Rated Conditions (Rated data is determined at a fixed compressor speed)	<sup>1</sup> Cooling (Indoor // Outdoor)	°F	80 DB, 67 WB // 95 DB, 75 WB
	<sup>2</sup> Heating at 47°F (Indoor // Outdoor)	°F	70 DB, 60 WB // 47 DB, 43 WB
	<sup>3</sup> Heating at 17°F (Indoor // Outdoor)	°F	70 DB, 60 WB // 17 DB, 15 WB
Conditions	<sup>4</sup> Heating at 5°F (Indoor // Outdoor)	°F	70 DB, 60 WB // 5 DB, 4 WB
	<sup>5</sup> Heating at -4°F (Indoor // Outdoor)	°F	70 DB, 60 WB // -4 DB, -5 WB
	<sup>7</sup> Heating at -13°F (Indoor // Outdoor)	°F	70 DB, 60 WB // -13 DB, -14 WB

\*Indoor/Outdoor Unit Operating Temperature Range (Cooling Air Temp [Maximum / Minimum]):  
 • Applications should be restricted to comfort cooling only; equipment cooling applications are not recommended for low ambient temperature conditions.

\*\*Outdoor Unit Operating Temperature Range (Cooling Thermal Lock-out / Re-start Temperatures; Heating Thermal Lock-out / Re-start Temperatures):  
 • System cuts out in heating mode to avoid thermistor error and automatically restarts at these temperatures.

# SPECIFICATIONS: MFZ-KJ12NA & MUFZ-KJ12NAHZ

Outdoor Unit	MCA	A	11.0
	MOCP	A	15
	Fan Motor Full Load Amperage	A	0.5
	Fan Motor Output	W	50
	Airflow Rate [Cooling / Heating]	CFM	1074 / 1202
	Refrigerant Control		LEV
	Defrost Method		Reverse Cycle
	Sound Pressure Level, Cooling <sup>1</sup>	dB(A)	48
	Sound Pressure Level, Heating <sup>2</sup>	dB(A)	50
	Compressor Type		DC INVERTER-driven Twin Rotary
	Compressor Model		SNB140FQUMT
	Compressor Rated Load Amps	A	8.2
	Compressor Locked Rotor Amps	A	10.3
	Compressor Oil [Type // Charge]	oz.	FV50S // 11.8
	External Finish Color		Munsell 3Y 7.8/1.1
	Base Pan Heater		Built-in
	Unit Dimensions	W x D x H: In. [mm]	31-1/2 x 11-1/4 x 21-5/8 [800 x 285 x 550]
	Package Dimensions	W x D x H: In. [mm]	37 x 14-15/16 x 24-13/16 [940 x 380 x 630]
	Unit Weight	Lbs. [kg]	83 [38]
	Package Weight	Lbs. [kg]	90 [90]
Outdoor Unit Operating Temperature Range	Cooling Air Temp [Maximum / Minimum]*	°F	115 DB / 14 DB
	Cooling Thermal Lock-out / Re-start Temperatures**	°F	11 / 14
	Heating Air Temp [Maximum / Minimum]	°F	75 DB, 65 WB / -13 DB, -14 WB
	Heating Thermal Lock-out / Re-start Temperatures**	°F	-18 / -14
Refrigerant	Type		R410A
	Pre-Charged Refrigerant Amount	Lbs, oz	2.0, 10.0
	Maximum Pre-Charged Piping Length	Ft. [m]	25.0 [7.5]
	Additional Refrigerant Charge Per Additional Piping Length	oz./Ft. [g/m]	0.216 [20]
Piping	Gas Pipe Size O.D. [Flared]	In.[mm]	3/8 [9.52]
	Liquid Pipe Size O.D. [Flared]	In.[mm]	1/4 [6.35]
	Maximum Piping Length	Ft. [m]	65 [20]
	Maximum Height Difference	Ft. [m]	40 [12]
	Maximum Number of Bends		10

**NOTES:**

AHRI Rated Conditions (Rated data is determined at a fixed compressor speed)	<sup>1</sup> Cooling (Indoor // Outdoor)	°F	80 DB, 67 WB // 95 DB, 75 WB
	<sup>2</sup> Heating at 47°F (Indoor // Outdoor)	°F	70 DB, 60 WB // 47 DB, 43 WB
	<sup>3</sup> Heating at 17°F (Indoor // Outdoor)	°F	70 DB, 60 WB // 17 DB, 15 WB
Conditions	<sup>4</sup> Heating at 5°F (Indoor // Outdoor)	°F	70 DB, 60 WB // 5 DB, 4 WB
	<sup>5</sup> Heating at -4°F (Indoor // Outdoor)	°F	70 DB, 60 WB // -4 DB, -5 WB
	<sup>7</sup> Heating at -13°F (Indoor // Outdoor)	°F	70 DB, 60 WB // -13 DB, -14 WB

\*Indoor/Outdoor Unit Operating Temperature Range (Cooling Air Temp [Maximum / Minimum]):

- Applications should be restricted to comfort cooling only; equipment cooling applications are not recommended for low ambient temperature conditions.

\*\*Outdoor Unit Operating Temperature Range (Cooling Thermal Lock-out / Re-start Temperatures; Heating Thermal Lock-out / Re-start Temperatures):

- System cuts out in heating mode to avoid thermistor error and automatically restarts at these temperatures.

## INDOOR UNIT ACCESSORIES: MFZ-KJ12NA

Control Interface	BACnet® and Modbus® Interface	PAC-UKPRC001-CN-1
	CN24 Relay Kit	CN24RELAY-KIT-CM3
	IT Extender	PAC-WHS01IE-E
	kumo station® for kumo cloud®	PAC-WHS01HC-E
	System Control Interface	MAC-334IF-E
	Thermostat Interface	PAC-US444CN-1
	Thermostat Interface	PAC-US445CN-1
	USNAP Adapter	PAC-WHS01UP-E
Remote Sensor	Wireless Interface for kumo cloud®	PAC-USWHS002-WF-2
	Wired Remote Sensor	M21EAA307
Wired Remote Controller	Wireless temperature and humidity sensor for kumo cloud®	PAC-USWHS003-TH-1
	Deluxe Wired MA Remote Controller†	PAR-40MAAU
	Simple Ductless Wired Remote Controller	PAC-SDW01RC-1
	Simple MA Remote Controller†	PAC-YT53CRAU-J
Wireless Remote Controller	Touch MA Controller†	PAR-CT01MAU-SB
	kumo touch™ RedLINK™ Wireless Controller	MHK2
Condensate	Lockdown bracket for remote controller	RCMKP1CB
	Blue Diamond (Advanced) Mini Condensate Pump w/ Reservoir & Sensor (208/230V) [recommended]	X87-721
	Blue Diamond (MicroBlue) Mini Condensate Pump (110/208/230V) up to 18,000 BTU/H	X86-003
Disconnect Switch	Refco Condensate Pump (100-240 VAC) up to 120,000 BTU/H	COMBI
Floor Mount Air Guide	(30A/600V/UL) [fits 2" X 4" utility box] - Black	TAZ-MS303
Lineset	Floor Mount Air Guide	MAC-760FD-E
	15' x 1/4" x 15' / 3/8" Lineset (Twin-Tube Insulation)	MLS143812T-15
	30' x 1/4" x 30' / 3/8" Lineset (Twin-Tube Insulation)	MLS143812T-30
	50' x 1/4" x 50' / 3/8" Lineset (Twin-Tube Insulation)	MLS143812T-50
	65' x 1/4" x 65' / 3/8" Lineset (Twin-Tube Insulation)	MLS143812T-65

**NOTES:**

†Requires MAC-334IF-E

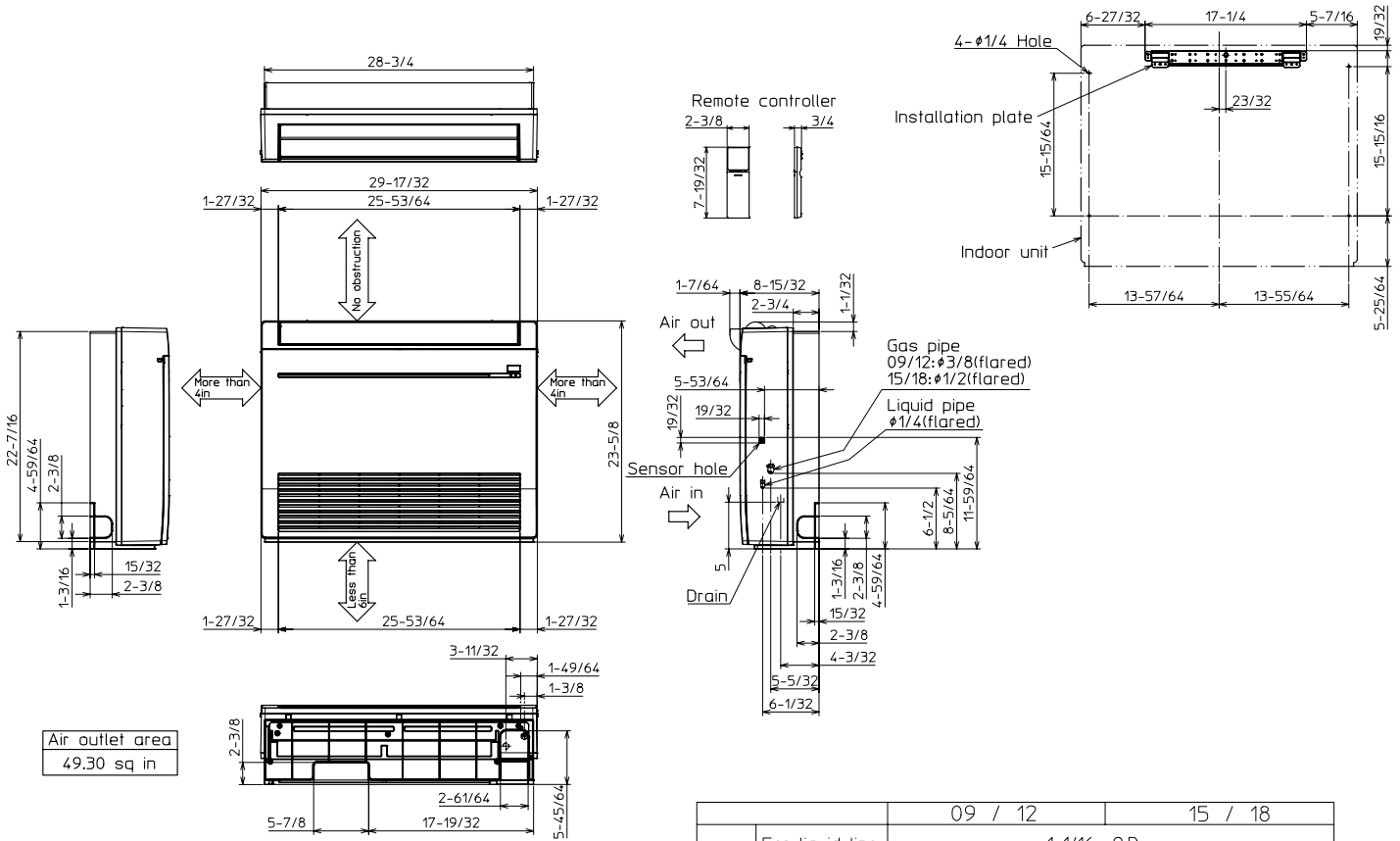
- M-Series EZ FIT® Recessed Ceiling Cassette, Floor-mount and Wall-mount  
Allows indoor units to connect to an MA Controller:
  - Deluxe MA Remote Controller
  - Simple MA Controller
  - Touch MA Controller

## OUTDOOR UNIT ACCESSORIES: MUFZ-KJ12NAHZ

Control/Service Tool	M- & P-Series Maintenance Tool Cable Set	M21EC0397
	USB/UART Conversion Cable (Required for all laptop connection)	M21EC1397
Hail Guards	Hail Guard	HG-B4
Mini-Split Wire	14 Gauge, 4 wire MiniSplit Cable—250 ft. roll	S144-250
	14 Gauge, 4 wire MiniSplit Cable—50 ft. roll	S144-50
	16 Gauge, 4 wire MiniSplit Cable—250 ft. roll	S164-250
	16 Gauge, 4 wire MiniSplit Cable—50 ft. roll	S164-50
Mounting Pad	Condensing Unit Mounting Pad: 16" x 36" x 3"	ULTRILITE1
	Outdoor Unit 3-1/4 inch Mounting Base (Pair) - Plastic	DSD-400P
Stand	18" Single Fan Stand	QSMS1801M
	24" Single Fan Stand	QSMS2401M
	Condenser Wall Bracket	QSWB2000M-1
	Condenser Wall Bracket - Stainless Steel Finish	QSWBSS
	Outdoor Unit Stand — 12" High	QSMS1201M

# INDOOR UNIT DIMENSIONS: MFZ-KJ12NA

Unit: inch

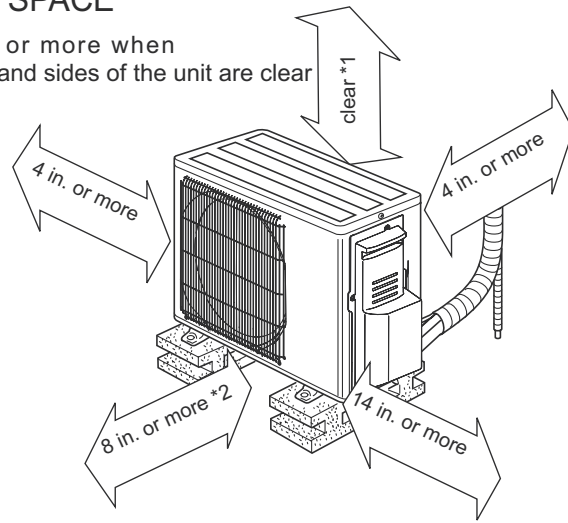


# OUTDOOR UNIT DIMENSIONS: MUFZ-KJ12NAHZ

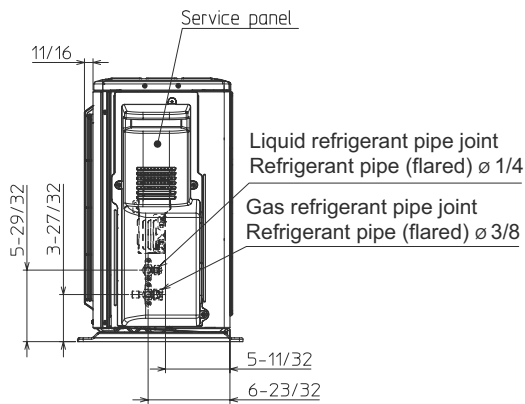
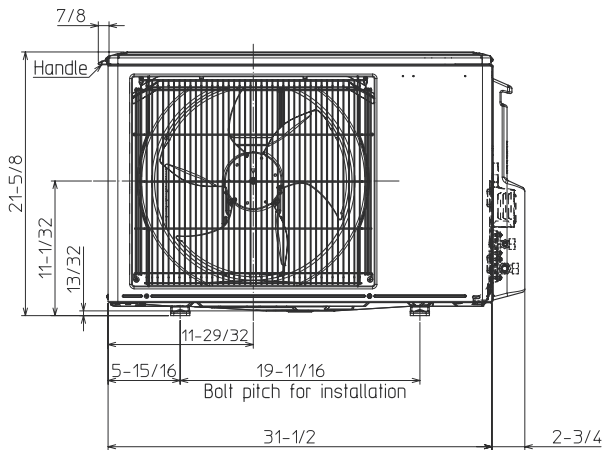
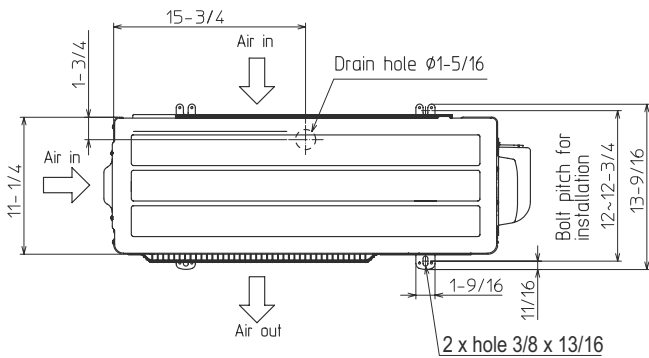
Unit: inch

## REQUIRED SPACE

\*1 4 in. or more when front and sides of the unit are clear



\*2 When any 2 sides of left, right and rear of the unit are clear



1340 Satellite Boulevard Suwanee, GA 30024  
Toll Free: 800-433-4822 www.mehvac.com

FORM# MFZ-KJ12NA & MUFZ-KJ12NAHZ - 202304

