

**MFZ-KJ15NA & MUFZ-KJ15NAHZ**  
**15,000 BTU/H FLOOR-MOUNTED INDOOR UNIT**  
**15,000 BTU/H HYPER-HEATING OUTDOOR UNIT**



Job Name:

System Reference:

Date:



Indoor Unit.....MFZ-KJ15NA

Outdoor Unit.....MUFZ-KJ15NAHZ

**INDOOR UNIT FEATURES**

- Floor-mounted indoor unit mounts on the floor or up to 5" above the floor
- Floor front panel access to the filter for ease of cleaning
- Perfect for difficult areas that may be smaller or don't have usable space on the walls
- Multiple fan speed options: Low, Medium, High, Powerful, Auto
- Quiet operation
- Multi-flow vane for faster heating
- Multiple control options available:
  - Hand-held Remote Controller (provided with unit)
  - kumo cloud® smart device app for remote access
  - Third-party interface options
  - Wired or wireless controllers
- Unit can be recessed mounted into wall

**OUTDOOR UNIT FEATURES**

- Built-in base pan heater

# SPECIFICATIONS: MFZ-KJ15NA & MUFZ-KJ15NAHZ

|   |  |  |   |
|---|--|--|---|
| Cooling at 95°F <sup>1</sup>            | Maximum Capacity                             | BTU/H                                      | 19,000  |
|   | Rated Capacity                               | BTU/H                                      | 15,000  |
|   | Minimum Capacity                             | BTU/H                                      | 5,300   |
|   | Maximum Power Input                          | W  | 1,850   |
|   | Rated Power Input                            | W  | 1,120   |
|   | Moisture Removal                             | Pints/h                                    | 3.9   |
|   | Sensible Heat Factor                         |  | 0.66  |
| Heating at 47°F <sup>2</sup>            | Maximum Capacity                             | BTU/H                                      | 25,000  |
|   | Rated Capacity                               | BTU/H                                      | 18,000  |
|   | Minimum Capacity                             | BTU/H                                      | 5,700   |
|   | Maximum Power Input                          | W  | 3,410   |
|   | Rated Power Input                            | W  | 1,410   |
|   | Power Factor [208V / 230V]                   | %  | 96.0 / 96.0                                   |
| Heating at 17°F <sup>3</sup>            | Maximum Capacity                             | BTU/H                                      | 20,500  |
|   | Rated Capacity                               | BTU/H                                      | 12,000  |
|   | Maximum Power Input                          | W  | 3,190   |
| Heating at 5°F <sup>4</sup>             | Rated Power Input                            | W  | 1,300   |
|   | Maximum Capacity                             | BTU/H                                      | 18,000  |
| Heating at -4°F <sup>5</sup>            | Maximum Power Input                          | W  | 2,950   |
| Heating at -13°F <sup>7</sup>           | Maximum Capacity                             | BTU/H                                      | 15,840  |
| Efficiency                              | Maximum Capacity                             | BTU/H                                      | 13,860  |
|   | SEER   SEER2                                 |  | 21.8   22.2                                   |
|   | EER <sup>1</sup>   EER2 <sup>1</sup>         |  | 13.5   13.5                                   |
|   | HSPF [IV]   HSPF2 [IV]                       |  | 11.6   10.7                                   |
|   | COP at 47°F <sup>2</sup>                     |  | 3.7   |
|   | COP at 17°F at Maximum Capacity <sup>3</sup> |  | 1.88  |
|   | COP at 5°F at Maximum Capacity <sup>4</sup>  |  | 1.79  |
| ENERGY STAR® Certified                  |  | Yes  |   |
| Electrical                              | Voltage, Phase, Frequency                    |  | 208/230, 1, 60                                |
|   | Guaranteed Voltage Range                     | V AC                                       | 187 - 253                                     |
|   | Voltage: Indoor - Outdoor, S1-S2             | V AC                                       | 208/230                                       |
|   | Voltage: Indoor - Outdoor, S2-S3             | V DC                                       | 24  |
|   | Short-circuit Current Rating [SCCR]          | kA   | 5   |
|   | Recommended Fuse/Breaker Size (Outdoor)      | A  | 20  |
|   | Recommended Wire Size [Indoor - Outdoor]     | AWG  | 14  |
| Power Supply                            |  | Indoor unit is powered by the outdoor unit |   |
| Indoor Unit                             | MCA  | A  | 1.0   |
|   | Fan Motor Full Load Amperage                 | A  | 0.62  |
|   | Fan Motor Type                               |  | DC Motor                                      |
|   | Airflow Rate at Cooling, Dry                 | CFM  | 198–254–311–392–431                           |
|   | Airflow Rate at Cooling, Wet                 | CFM  | 168–216–264–333–366                           |
|   | Airflow Rate at Heating, Dry                 | CFM  | 212–268–328–399–470                           |
|   | Sound Pressure Level [Cooling]               | dB[A]                                      | 28–33–38–43–47                                |
|   | Sound Pressure Level [Heating]               | dB[A]                                      | 29–35–40–45–49                                |
|   | Drain Pipe Size                              | In. [mm]                                   | 5/8 O.D [15]                                  |
|   | Coating on Heat Exchanger                    |  | —   |
|   | External Finish Color                        |  | Munsell 1.0Y 9.2/0.2                          |
|   | Unit Dimensions                              | W x D x H: In. [mm]                        | 29-17/32 x 8-15/32 x 23-5/8 [750 x 215 x 600] |
|   | Package Dimensions                           | W x D x H: In. [mm]                        | 32-2/16 x 10-3/16 x 27-2/16 [816 x 275 x 693] |
| Unit Weight                             | Lbs. [kg]                                    | 33 [15.0]                                  |   |
| Package Weight                          | Lbs. [kg]                                    | 41 [18.5]                                  |   |
| Indoor Unit Operating Temperature Range | Cooling Intake Air Temp [Maximum / Minimum]* | °F   | 90 DB, 73 WB / 67 DB, 57 WB                   |

**NOTES:**

|   |   |    |                                |
|---|---|----|--------------------------------|
| AHRI Rated Conditions<br>(Rated data is determined at a fixed compressor speed) | <sup>1</sup> Cooling (Indoor // Outdoor)          | °F | 80 DB, 67 WB // 95 DB, 75 WB   |
|   | <sup>2</sup> Heating at 47°F (Indoor // Outdoor)  | °F | 70 DB, 60 WB // 47 DB, 43 WB   |
|   | <sup>3</sup> Heating at 17°F (Indoor // Outdoor)  | °F | 70 DB, 60 WB // 17 DB, 15 WB   |
| Conditions  | <sup>4</sup> Heating at 5°F (Indoor // Outdoor)   | °F | 70 DB, 60 WB // 5 DB, 4 WB     |
|   | <sup>5</sup> Heating at -4°F (Indoor // Outdoor)  | °F | 70 DB, 60 WB // -4 DB, -5 WB   |
|   | <sup>7</sup> Heating at -13°F (Indoor // Outdoor) | °F | 70 DB, 60 WB // -13 DB, -14 WB |

\*Indoor/Outdoor Unit Operating Temperature Range (Cooling Air Temp [Maximum / Minimum]):

- Applications should be restricted to comfort cooling only; equipment cooling applications are not recommended for low ambient temperature conditions.

\*\*Outdoor Unit Operating Temperature Range (Cooling Thermal Lock-out / Re-start Temperatures; Heating Thermal Lock-out / Re-start Temperatures):

- System cuts out in heating mode to avoid thermistor error and automatically restarts at these temperatures.

# SPECIFICATIONS: MFZ-KJ15NA & MUFZ-KJ15NAHZ

|  |  |                     |  |
|--|--|---------------------|--|
| Outdoor Unit                             | MCA  | A                   | 16.0                                     |
|  | MOCP   | A                   | 20                                       |
|  | Fan Motor Full Load Amperage                               | A                   | 0.93                                     |
|  | Fan Motor Output   | W                   | 77                                       |
|  | Airflow Rate [Cooling / Heating]                           | CFM                 | 1653 / 1730                              |
|  | Refrigerant Control  |                     | LEV                                      |
|  | Defrost Method   |                     | Reverse Cycle                            |
|  | Sound Pressure Level, Cooling <sup>1</sup>                 | dB(A)               | 51                                       |
|  | Sound Pressure Level, Heating <sup>2</sup>                 | dB(A)               | 55                                       |
|  | Compressor Type  |                     | DC INVERTER-driven Twin Rotary           |
|  | Compressor Model   |                     | SNB172FQKMT                              |
|  | Compressor Rated Load Amps                                 | A                   | 12                                       |
|  | Compressor Locked Rotor Amps                               | A                   | 15.0                                     |
|  | Compressor Oil [Type // Charge]                            | oz.                 | FV50S // 13.5                            |
|  | External Finish Color                                      |                     | Munsell 3Y 7.8/1.1                       |
|  | Base Pan Heater  |                     | Built-in                                 |
|  | Unit Dimensions  | W x D x H: In. [mm] | 33-1/16 x 13 x 34-5/8 [840 x 330 x 880]  |
|  | Package Dimensions   | W x D x H: In. [mm] | 38-9/16 x 16-9/16 x 39 [980 x 420 x 990] |
|  | Unit Weight  | Lbs. [kg]           | 124 [56]                                 |
|  | Package Weight   | Lbs. [kg]           | 144 [65]                                 |
| Outdoor Unit Operating Temperature Range | Cooling Air Temp [Maximum / Minimum]*                      | °F                  | 115 DB / 14 DB                           |
|  | Cooling Thermal Lock-out / Re-start Temperatures**         | °F                  | 11 / 14                                  |
|  | Heating Air Temp [Maximum / Minimum]                       | °F                  | 75 DB, 65 WB / -13 DB, -14 WB            |
|  | Heating Thermal Lock-out / Re-start Temperatures**         | °F                  | -18 / -14                                |
| Refrigerant                              | Type   |                     | R410A                                    |
|  | Pre-Charged Refrigerant Amount                             | Lbs, oz             | 3.0, 5.0                                 |
|  | Maximum Pre-Charged Piping Length                          | Ft. [m]             | 25.0 [7.5]                               |
|  | Additional Refrigerant Charge Per Additional Piping Length | oz./Ft. [g/m]       | 0.324 [30]                               |
| Piping                                   | Gas Pipe Size O.D. [Flared]                                | In.[mm]             | 1/2 [12.7]                               |
|  | Liquid Pipe Size O.D. [Flared]                             | In.[mm]             | 1/4 [6.35]                               |
|  | Maximum Piping Length                                      | Ft. [m]             | 100 [30]                                 |
|  | Maximum Height Difference                                  | Ft. [m]             | 50 [15]                                  |
|  | Maximum Number of Bends                                    |                     | 10                                       |

**NOTES:**

|   |   |    |                                |
|---|---|----|--------------------------------|
| AHRI Rated Conditions<br>(Rated data is determined at a fixed compressor speed) | <sup>1</sup> Cooling (Indoor // Outdoor)          | °F | 80 DB, 67 WB // 95 DB, 75 WB   |
|   | <sup>2</sup> Heating at 47°F (Indoor // Outdoor)  | °F | 70 DB, 60 WB // 47 DB, 43 WB   |
|   | <sup>3</sup> Heating at 17°F (Indoor // Outdoor)  | °F | 70 DB, 60 WB // 17 DB, 15 WB   |
| Conditions  | <sup>4</sup> Heating at 5°F (Indoor // Outdoor)   | °F | 70 DB, 60 WB // 5 DB, 4 WB     |
|   | <sup>5</sup> Heating at -4°F (Indoor // Outdoor)  | °F | 70 DB, 60 WB // -4 DB, -5 WB   |
|   | <sup>7</sup> Heating at -13°F (Indoor // Outdoor) | °F | 70 DB, 60 WB // -13 DB, -14 WB |

\*Indoor/Outdoor Unit Operating Temperature Range (Cooling Air Temp [Maximum / Minimum]):

- Applications should be restricted to comfort cooling only; equipment cooling applications are not recommended for low ambient temperature conditions.

\*\*Outdoor Unit Operating Temperature Range (Cooling Thermal Lock-out / Re-start Temperatures; Heating Thermal Lock-out / Re-start Temperatures):

- System cuts out in heating mode to avoid thermistor error and automatically restarts at these temperatures.

## INDOOR UNIT ACCESSORIES: MFZ-KJ15NA

|                            |   |                   |
|----------------------------|---|-------------------|
| Control Interface          | BACnet® and Modbus® Interface   | PAC-UKPRC001-CN-1 |
|                            | CN24 Relay Kit  | CN24RELAY-KIT-CM3 |
|                            | IT Extender   | PAC-WHS01IE-E     |
|                            | kumo station® for kumo cloud®   | PAC-WHS01HC-E     |
|                            | System Control Interface  | MAC-334IF-E       |
|                            | Thermostat Interface  | PAC-US444CN-1     |
|                            | Thermostat Interface  | PAC-US445CN-1     |
|                            | USNAP Adapter   | PAC-WHS01UP-E     |
| Remote Sensor              | Wireless Interface for kumo cloud®  | PAC-USWHS002-WF-2 |
|                            | Wired Remote Sensor   | M21EAA307         |
| Wired Remote Controller    | Wireless temperature and humidity sensor for kumo cloud®                                    | PAC-USWHS003-TH-1 |
|                            | Deluxe Wired MA Remote Controller†  | PAR-40MAAU        |
|                            | Simple Ductless Wired Remote Controller   | PAC-SDW01RC-1     |
|                            | Simple MA Remote Controller†  | PAC-YT53CRAU-J    |
| Wireless Remote Controller | Touch MA Controller†  | PAR-CT01MAU-SB    |
|                            | kumo touch™ RedLINK™ Wireless Controller  | MHK2              |
| Condensate                 | Lockdown bracket for remote controller  | RCMKP1CB          |
|                            | Blue Diamond (Advanced) Mini Condensate Pump w/ Reservoir & Sensor (208/230V) [recommended] | X87-721           |
|                            | Blue Diamond (MicroBlue) Mini Condensate Pump (110/208/230V) up to 18,000 BTU/H             | X86-003           |
| Disconnect Switch          | Refco Condensate Pump (100-240 VAC) up to 120,000 BTU/H                                     | COMBI             |
| Floor Mount Air Guide      | (30A/600V/UL) [fits 2" X 4" utility box] - Black  | TAZ-MS303         |
| Lineset                    | Floor Mount Air Guide   | MAC-760FD-E       |
|                            | 100' x 1/4" x 100' / 1/2" Lineset (Twin-Tube Insulation)                                    | MLS141212T-100    |
|                            | 15' x 1/4" x 15' / 1/2" Lineset (Twin-Tube Insulation)                                      | MLS141212T-15     |
|                            | 30' x 1/4" x 30' / 1/2" Lineset (Twin-Tube Insulation)                                      | MLS141212T-30     |
|                            | 50' x 1/4" x 50' / 1/2" Lineset (Twin-Tube Insulation)                                      | MLS141212T-50     |
|                            | 65' x 1/4" x 65' / 1/2" Lineset (Twin-Tube Insulation)                                      | MLS141212T-65     |

**NOTES:**

†Requires MAC-334IF-E

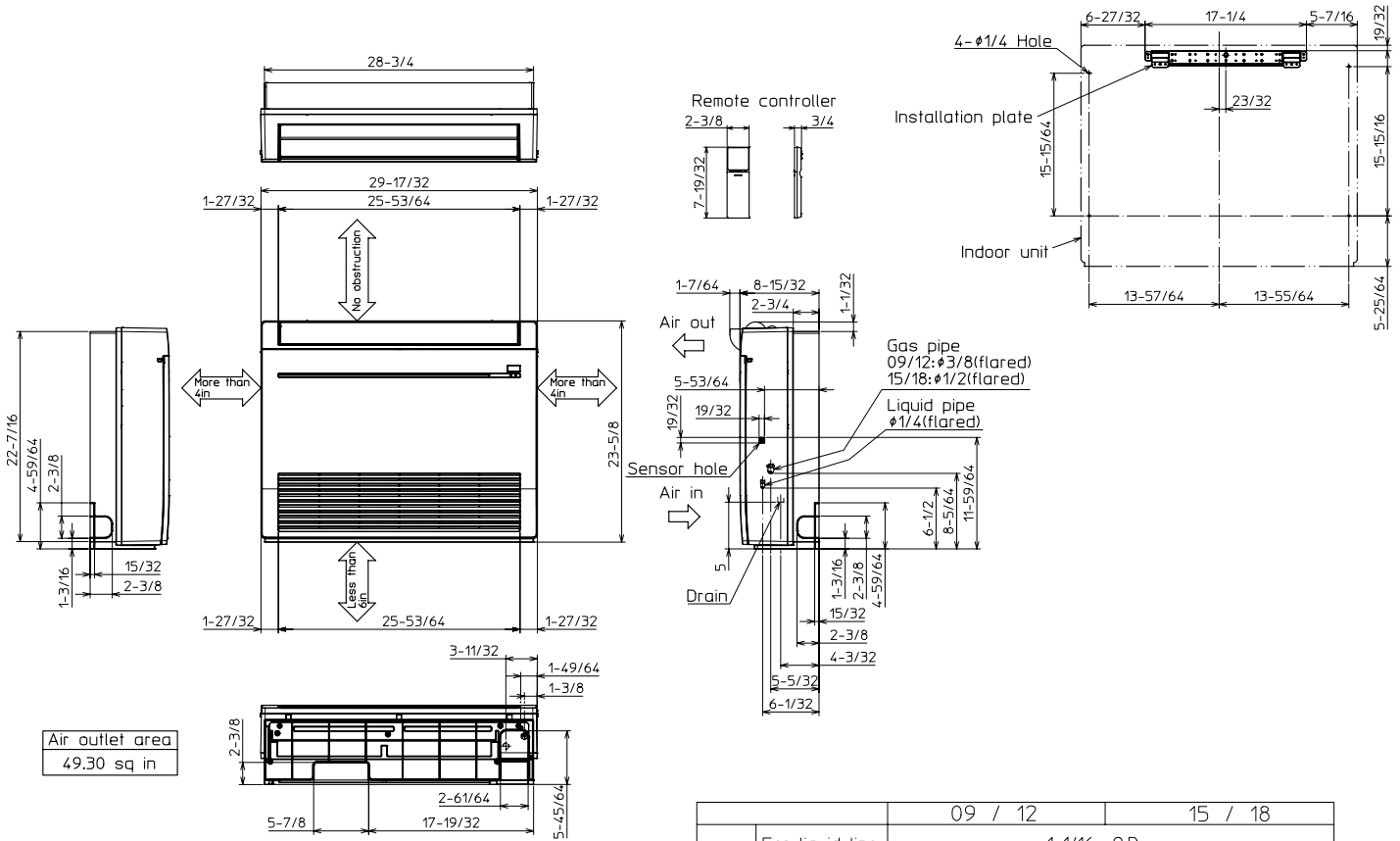
- M-Series EZ FIT® Recessed Ceiling Cassette, Floor-mount and Wall-mount  
Allows indoor units to connect to an MA Controller:
  - Deluxe MA Remote Controller
  - Simple MA Controller
  - Touch MA Controller

## OUTDOOR UNIT ACCESSORIES: MUFZ-KJ15NAHZ

|                      |  |             |
|----------------------|--|-------------|
| Air Outlet Guide     | Air Outlet Guide   | MAC-886SG-E |
| Control/Service Tool | M- & P-Series Maintenance Tool Cable Set                       | M21EC0397   |
|                      | USB/UART Conversion Cable (Required for all laptop connection) | M21EC1397   |
| Hail Guards          | Hail Guard   | HG-A7       |
| Mini-Split Wire      | 14 Gauge, 4 wire MiniSplit Cable—250 ft. roll                  | S144-250    |
|                      | 14 Gauge, 4 wire MiniSplit Cable—50 ft. roll                   | S144-50     |
|                      | 16 Gauge, 4 wire MiniSplit Cable—250 ft. roll                  | S164-250    |
|                      | 16 Gauge, 4 wire MiniSplit Cable—50 ft. roll                   | S164-50     |
| Mounting Pad         | Condensing Unit Mounting Pad: 16" x 36" x 3"                   | ULTRILITE1  |
|                      | Outdoor Unit 3-1/4 inch Mounting Base (Pair) - Plastic         | DSD-400P    |
| Stand                | 18" Single Fan Stand   | QSMS1801M   |
|                      | 24" Single Fan Stand   | QSMS2401M   |
|                      | Condenser Wall Bracket   | QSWB2000M-1 |
|                      | Condenser Wall Bracket - Stainless Steel Finish                | QSWBSS      |
|                      | Outdoor Unit Stand — 12" High                                  | QSMS1201M   |

# INDOOR UNIT DIMENSIONS: MFZ-KJ15NA

Unit: inch

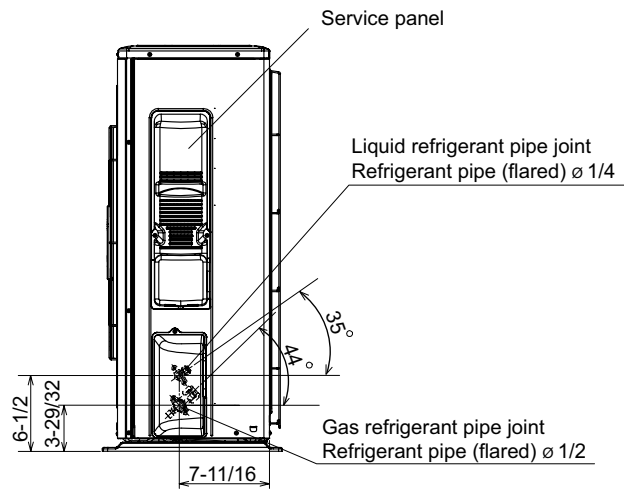
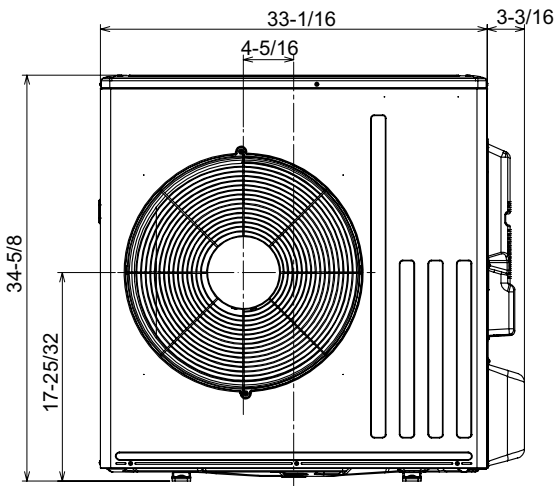
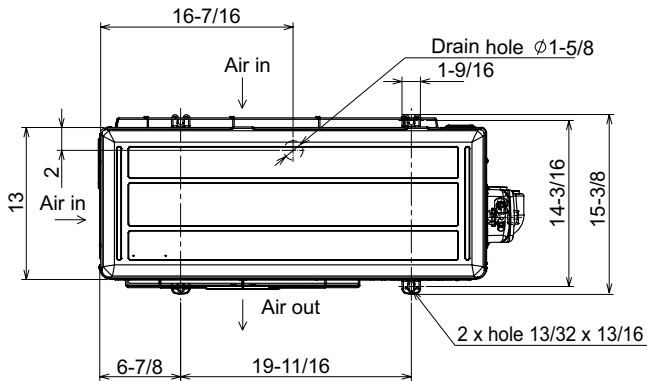
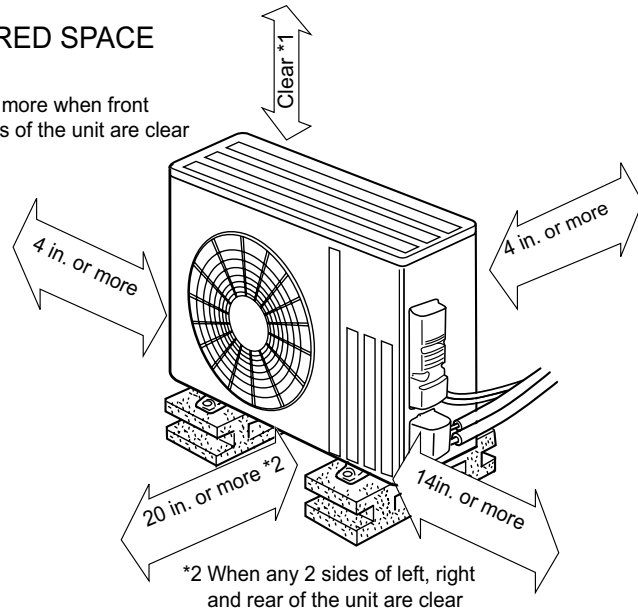


# OUTDOOR UNIT DIMENSIONS: MUFZ-KJ15NAHZ

Unit: inch

## REQUIRED SPACE

\*1 20 in. or more when front and sides of the unit are clear



1340 Satellite Boulevard Suwanee, GA 30024  
Toll Free: 800-433-4822 www.mehvac.com

FORM# MFZ-KJ15NA & MUFZ-KJ15NAHZ - 202304

